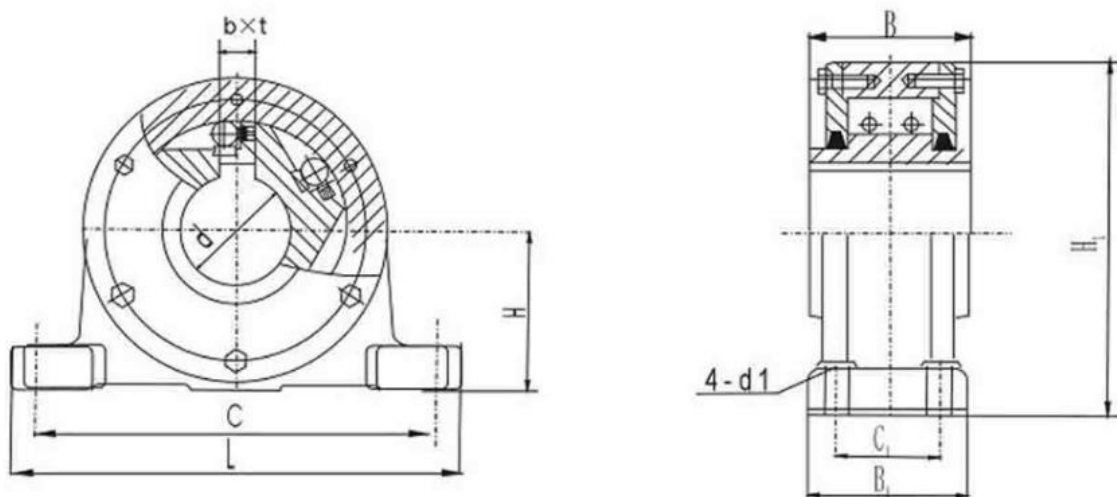


GN Technical Parameter

GN series backstop clutch is a kind of low speed of roller type plugging device,often with reducer , used in belt conveyor,hoist,electric drum, and other need a non-return device.Non-return quickly ,small reverse distance,long life ,can withstand the torque.



Type	Torque TKN N.m	Bore Dia. Max. ødH7 mm	DIMENSION									Weight kg	Recommended Suitable Reducer
			bxt	C	L	B	C1	B1	H	H1	D1		
GN110	6770	110	32X6.7	400	450	140	90	140	160	310	ø21	89.4	ZQ650 ZQ750
GN130	13700	130	36X7.4	430	480	170	120	180	175	340		120	ZQ850
GN140	13700	140	36X7.4	430	480	170	120	190	175	340		105	ZQ85
GN150	22800	150	40X8.7	510	580	190	170	230	215	420	ø26	186	ZQ1000
GN170	22800	170	40X8.7	510	580	190	170	250	215	420		182	ZL100
GN200	47600	200	45X9.9	590	660	220	210	290	275	540	ø32	352	ZL115
GN220	47600	220	50X11.2	590	660	220	210	290	275	540		339	ZL130